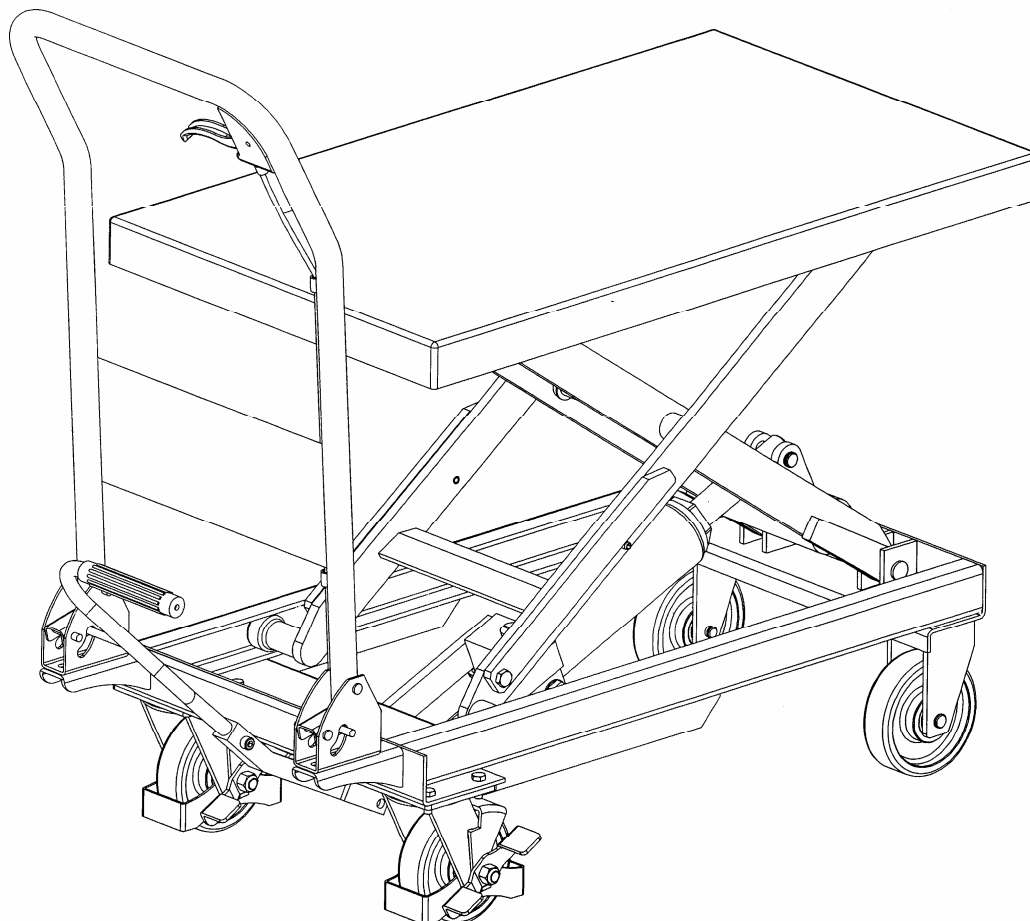


Operating Instructions

Parts List



Lift Table

Note: Owner and operator MUST read and understand this operating instructions before use this lift table.

ATTENTION:

1. The waste packages should be sorted and put into solid dustbins according to the materials and be collected disposal by local special environment protection bureau. To avoid pollution, it's forbidden to throw away the wastes random.
2. To avoid leaking during the use of the products, the user should prepare some absorbable materials (scraps of wooden or dry duster cloth) to absorb the leaking oil in time. To avoid second pollution to the environment, the used absorbable materials should be handed in to the special department in term of the local statute.

Thank you for using this lift table. Your lift table is made of high quality steel and is designed for the horizontal lifting and transport of loads on a level, fixed base. For your safety and correct operation, please carefully read this instruction before using it and keep it on file for future reference.

NOTE: All of the information reported herein is based on data available at the moment of printing.

We reserves the right to modify our own products at any moment without notice and incurring in any sanction. So, it is suggested to always verify possible updates.

1. WARNINGS

- 1、 DO NOT put foot or hand in scissors mechanism.
- 2、 DO NOT allow other person to stand in front or behind lift table when it is moving.
- 3、 DO NOT move lift table when table is in raised position. Load could fall down.
- 4、 DO NOT enter under table.
- 5、 DO NOT overload lift table.
- 6、 DO NOT put foot in front of rolling wheels, Injury could fall down.
- 7、 WATCH difference of floor level when moving lift table. Load could fall down.
- 8、 DO NOT use lift table on slope or inclined surface, lift table may become uncontrollable and create danger.
- 9、 DO NOT lift people. People could fall down and suffer severe injury.

2. CAUTION

- 1、 Read this operation manual carefully and understand completely operating lift table. Improper operation could create danger.
- 2、 This lift table is a movable lifter designed to lift or lower rated load on table. DO NOT use lift table for other purpose than its intended use.
- 3、 DO NOT allow person to operate lift table that dose not understand its operation.
- 4、 DO NOT lower table too fast. Load could fall down and create danger.
- 5、 KEEP watching the condition of load. Stop operating lift table if load becomes unstable.
- 6、 Braking lift table when sliding load on or off table.
- 7、 DO NOT side or end load. Load must be distributed on at least 80% of table area.
- 8、 DO NOT use lift table with unstable, unbalanced loosely load.
- 9、 Practice maintenance work according to service instructions.
- 10、 DO NOT modify lift table without manufacturers written consent.
- 11、 REMOVE load from table and use safety stopper to prevent table from lowering when servicing lift table.
- 12、 This lift table is not designed to be water resistant. Use lift table under dry condition.

3. DAILY INSPECTION

Daily inspection is effective to find the malfunction or fault on lift table. Check lift table on the following points before operation .

- (1) Check for scratch, bending or cracking on the lift table.
- (2) Check if there is any oil leakage from the cylinder.

- (3) Check the vertical creep of the table.
- (4) Check the smooth movement of the wheels.
- (5) Check the function of brake.
- (6) Check if all the bolts and nuts are tightened firmly.

CAUTION: *DO NOT use lift table if any malfunction or fault is found.*

4. OPERATING LIFT TABLE

4-1. How to use the brake.

CAUTION
Brake lift when not moving it in order to prevent sudden movement.

The brake is equipped with the swivel caster on the right side.

- (1) Brake the wheel, press the brake pedal.
- (2) Release the brake, lift up the brake pedal.

4-2. Lifting the table

WARNING
1. DO NOT overload lift table. Stay within its rated capacity.
2. DO NOT side or end. Load must be distributed on at least 80% of table area.

Press the lifting pedal several times until the table reaches the desired position. The table does not elevate after reaching the highest position even if the lifting pedal is pressed. The table lowers slightly after reaching the highest position.

MAXIMUM CAPACITY OF TABLE						
TF15	TF 30	TFD35	TF 50	TF 75	TFD80	TF100
150Kg	300Kg	350Kg	500Kg	750Kg	800Kg	1000Kg

NOTE:

The hydraulic cylinder is designed to hold table. As is the nature of hydraulic system, table lowers very slowly over and extended period of time. Please note the table does not stay at the same position indefinitely.

4-3. Lowering table

WARNING
DO NOT put foot or hand in scissors mechanism

- Knob rotating makes table down..
- Pull the control handle make table down..

5. Specifications

Model	Capacity (kg)	Table (Mm)	Table Height (mm)	Wheel (Mm)	Weight (Kg)
TF15	150	700x450	220-720	φ100x25	45
TF30	300	850X500	285-880	φ125x40	77
TFD35	350	910x500	370-1300	φ125x40	105
TF50	500	850X500	285-880	φ125x40	81
TF75	750	1000x510	440-1000	φ147x50	125
TFD80	800	1220x610	450-1500	φ127x40	195
TF100	1000	1016x510	380-980	φ127x40	140

6. Service Instructions

6-1. Lubricate each point described below every month:

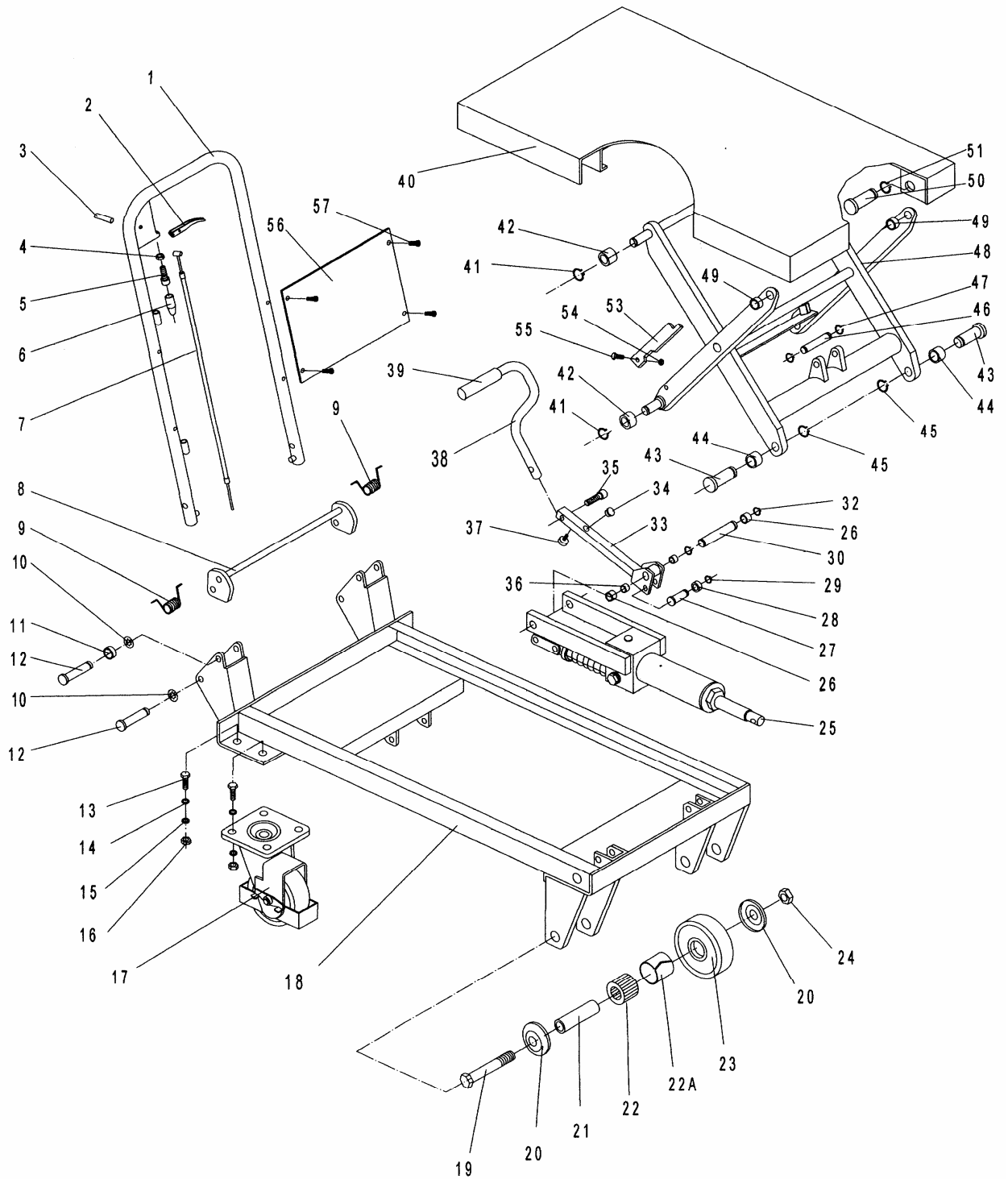
6-2. Change hydraulic oil every 12 months.

Lubricating Points

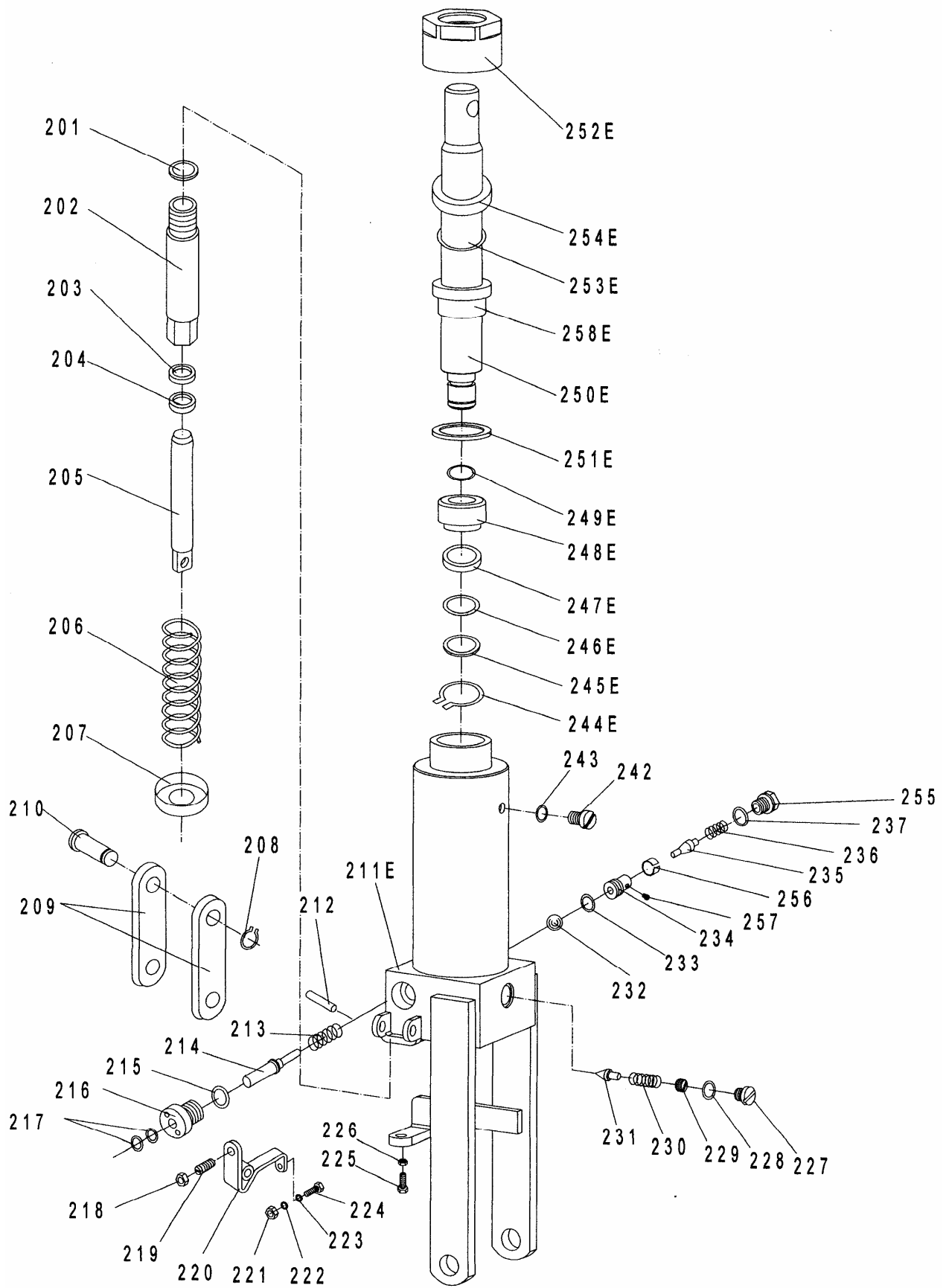
- (1) Fitting of cylinder---Oil
- (2) Roller friction surface---Grease
- (3) Link pin ---Oil
- (4) Pedal fitting point---Oil
- (5) Grease nipple---Grease

7. Part List

7.1 TF15



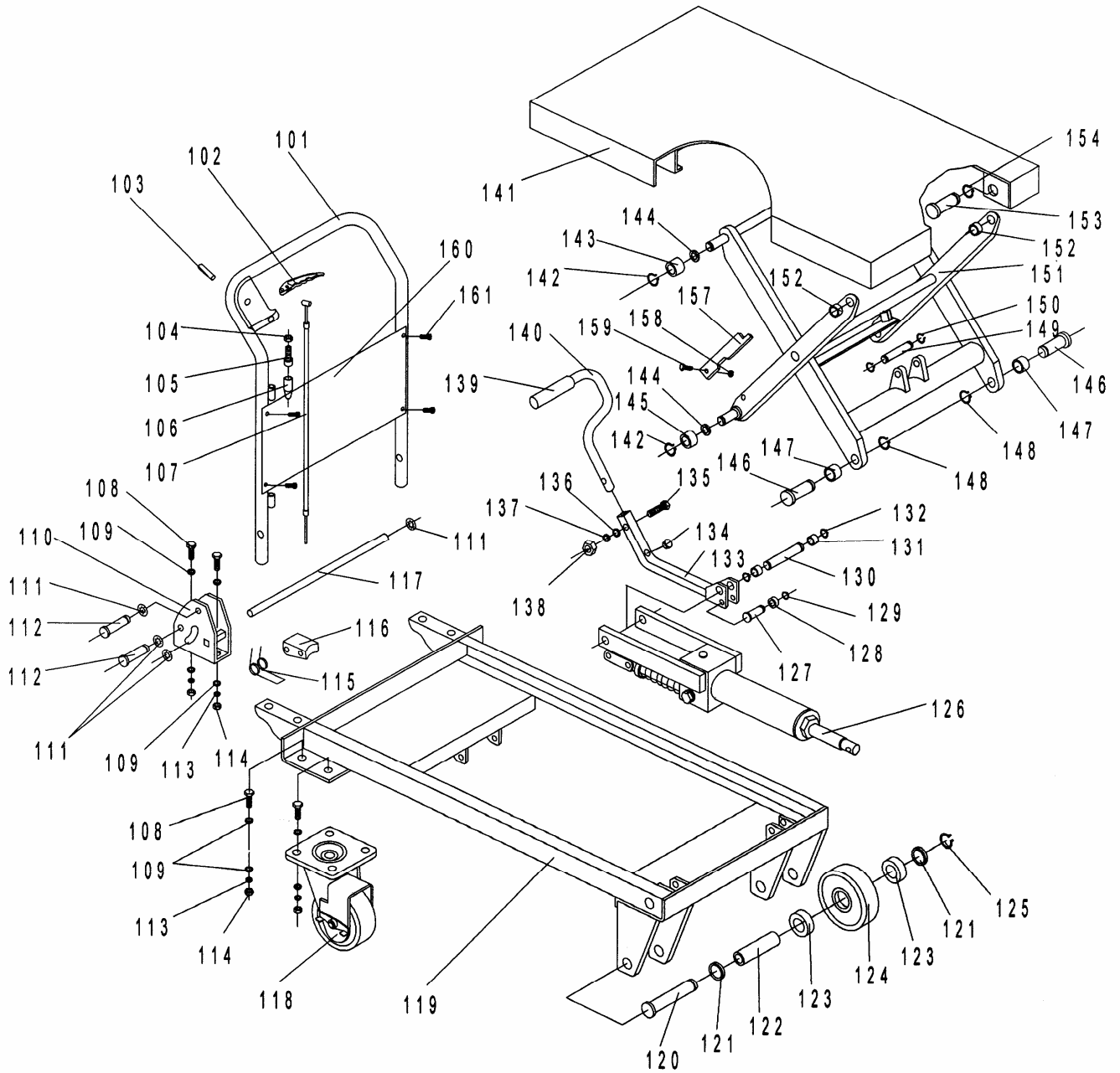
No	Part No	Description	Qty.	No	Part No	Description	Qty.
1	15101	Handle Grip	1	30	15130	Pin	1
2	15102	Control Handle	1	31	15131		
3	15103	Elastic Pin	1	32	15132	Retaining Ring	2
4	15104	Nut	1	33	15133	Connecting	1
5	15105	Bolt With Hole	1	34	15134	Cushion	1
6	15106	Jacket	1	35	15135	Bolt	1
7	15107	Pull Line	1	36	15136	Bushing	2
8	15108	Long Shaft	1	37	15137	Cushion	1
9	15109	Spring	2	38	15138	Pedal Bar	1
10	15110	Retaining Ring	4	39	15139	Protecting Cover	1
11	15111	Washer	2	40	15140	Table	1
12	15112	Pin	4	41	15141	Retaining Ring	4
13	15113	Bolt	8	42	15142	Roller	4
14	15114	Washer	8	43	15143	Pin	2
15	15115	Elastic Washer	8	44	15144	Bushing	2
16	15116	Nut	8	45	15145	Retaining Ring	2
17	15117	Universal Wheel	2	46	15146	Pin	1
18	15118	Frame	1	47	15147	Retaining Ring	2
19	15119	Bolt	2	48	15148	Fork Arm	1
20	15120	Washer	4	49	15149	Bushing	2
21	15121	Axle	2	50	15150	Pin	2
22, 22A	15122	Bearing	4	51	15151	Retaining Ring	2
23	15123	Wheel	2	52	15152	Elastic Pin	2
24	15124	Nut	2	53	15153	Support Plank	2
25	15125	Pump Unit	1	54	15154	Screw	2
26	15126	Washer	2	55	15155	Nut	2
27	15127	Pin	1				
28	15128	Washer	1				
29	15129	Retaining Ring	1				



No.	Part No	Description	Qty.	No.	Part No	Description	Qty.
201	15201	Seal Washer	1	231	15231	Spindle of Safety Valve	1
202	15202	Pump Cylinder	1	232	15232	Steel Ball	1
203	15203	Dust Ring	1	233	15233	O-Ring	1
204	15204	Y-Seal	1	234	15234	Seat of Pumping Valve	1
205	15205	Pump Piston	1	235	15235	Spindle of Pumping Valve	1
206	15206	Spring	1	236	15236	Spring	1
207	15207	Spring Cap	1	237	15237	Seal Washer	1
208	15208	Retaining Ring	1	238			
209	15209	Joint Plate	2	239			
210	15210	Pin	1	240			
211E	15211	Pump Body	1	241			
212	15212	Elastic Pin	1	242	15242	Bolt	1
213	15213	Spring	1	243	15243	Seal Washer	1
214	15214	Strke Pin	1	244E	15244	Retaining Ring	1
215	15215	Seal Washer	1	245E	15245	Washer	1
216	15216	Axle Sleeve	1	246E	15246	O-Ring	1
217	15217	O-Ring	2	247E	15247	Cup Packing	1
218	15218	Nut	1	248E	25248	Piston	1
219	15219	Screw	1	249E	15249	O-Ring	1
220	15220	Lever Plate	1	250E	15250	Piston Rod	1
221	15221	Nut	1	251E	15251	Seal Washer	1
222	15222	Elastic Washer	1	252E	15252	Cylinder Cap	1
223	15223	Washer	1	253E	15253	O-Ring	1
224	15224	Bolt With Hole	1	254E	15254	Dust Ring	1
225	15225	Bolt With Hole		255	15255	Plug	1
226	15226	Nut	1	256	15256	Liquid Throttle Sheath	1
227	15227	Plug	1	257	15257	Bolt	1
228	15228	O-Ring	1	258E	15258	Sleeve	1
229	15229	Adjusting Bolt	1				
230	15230	Spring	1				

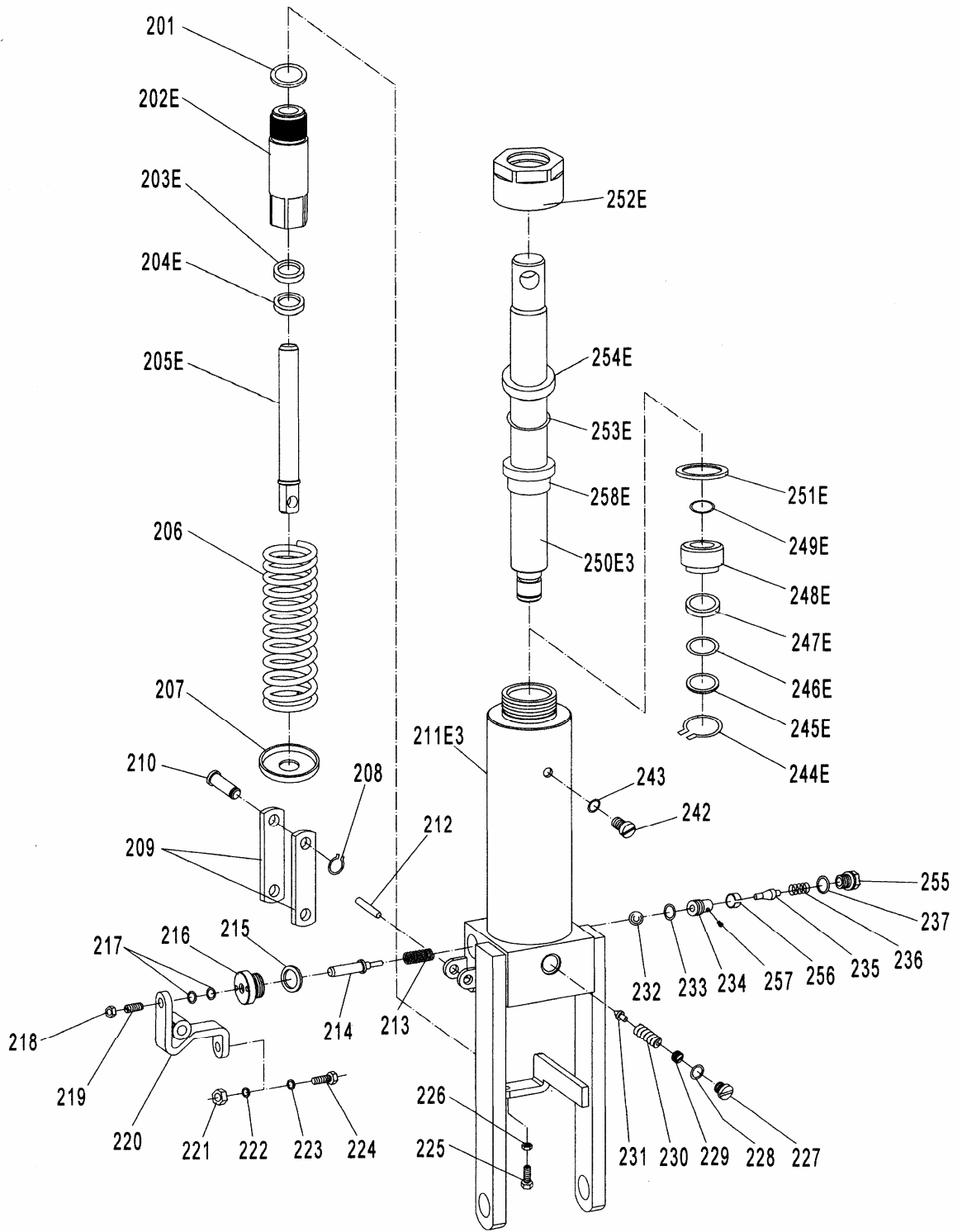
7.2 TF30

Part List of Table



No	Description	Qty.	No	Description	Qty.
101	Handle Grip	1	131	Washer	2
102	Control Handle	1	132	Retaining Ring	2
103	Elastic Pin	1	133	Connecting Rod	1
104	Nut	1	134	Cushion	1
105	Bolt with Hole	1	135	Bolt	1
106	Jacket	1	136	Washer	1
107	Pull Rod	1	137	Elastic Washer	1
108	Bolt	12	138	Nut	1
109	Washer	12	139	Protecting Cover	1
110	Seat of Grip	2	140	Pedal Bar	1
111	Retaining Ring	6	141	Table	1
112	Pin	4	142	Retaining Ring	4
113	Elastic Washer	12	143	Roller	2
114	Nut	12	144	Washer	4
115	Spring	2	145	Roller	2
116	Cushion	2	146	Pin	2
117	Long Shaft	1	147	Bushing	2
118	Universal Wheel	2	148	Retaining Ring	2
119	Frame	1	149	Pin	1
120	Pin	2	150	Retaining Ring	2
121	Washer	4	151	Fork Arm	1
122	Axle	2	152	Bushing	2
123	Bearing	4	153	Pin	2
124	Wheel	2	154	Retaining Ring	2
125	Retaining Ring	2	157	Support Plank	2
126	Pump Unit	1	158	Nut	2
127	Pin	1	159	Screw	2
128	Washer	1	160	Protecting board	1
129	Retaining Ring	1	161	Bolt	4
130	Pin	1			

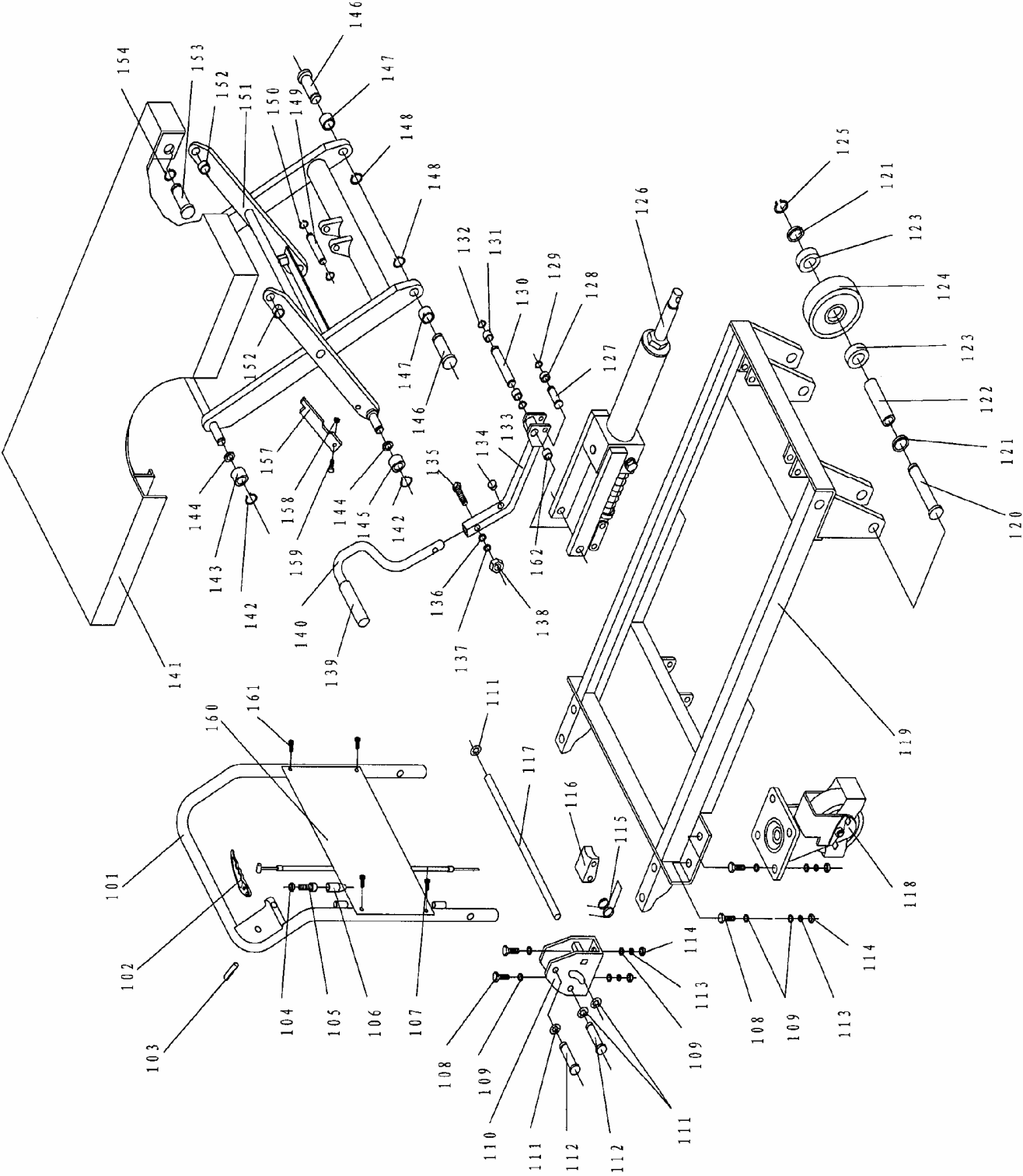
Part List of Pump



No	Description	Quantity	No	Description	Quantity
201	Seal Washer	1	228	O-Ring	1
202E	Pump Cylinder	1	229	Adjusting Bolt	1
203E	Dust Ring	1	230	Spring	1
204E	Y-Seal	1	231	Spindle of Safety Valve	1
205E	Pump Piston	1	232	Steel Ball	1
206	Spring	1	233	O-Ring	1
207	Spring Cap	1	234	Seat of Pumping Valve	1
208	Retaining Ring	1	235	Spindle of Pumping Valve	1
209	Joint Plate	2	236	Spring	1
210	Pin	1	237	Seal Washer	1
211E3	Pump Body	1	242	Bolt	1
212	Elastic Pin	1	243	Seal Washer	1
213	Spring	1	244E	Retaining Ring	1
214	Stroke Pin	1	245E	Washer	1
215	Seal Washer	1	246E	O-Ring	1
216	Axle Sleeve	1	247E	Cup Packing	1
217	O-Ring	2	248E	Piston	1
218	Nut	1	249E	O-Ring	1
219	Screw	1	250E3	Piston Rod	1
220	Lever Plate	1	251E	Seal Washer	1
221	Nut	1	252E	Cylinder Cap	1
222	Elastic Washer	1	253E	O-Ring	1
223	Washer	1	254E	Dust Ring	1
224	Bolt With Hole	1	255	Plug	1
225	Bolt With Hole	1	256	Liquid Throttle Sheath	1
226	Nut	1	257	Bolt	1
227	Plug	1	258E	Sleeve	1

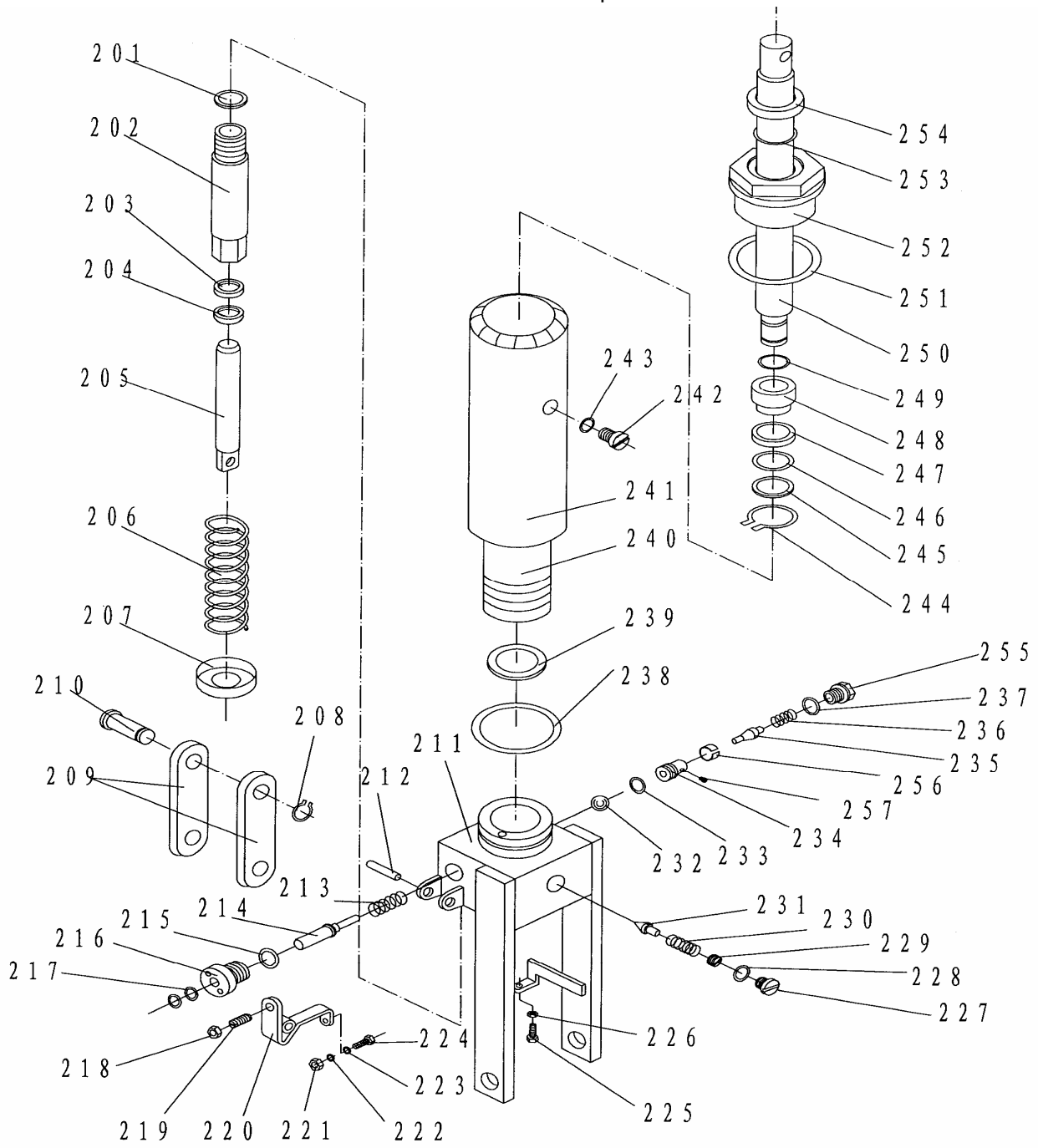
7.3 TF50

Part List of Table



No	Description	Qty.	No	Description	Qty.
101	Handle Grip	1	131	Washer	2
102	Control Handle	1	132	Retaining Ring	2
103	Elastic Pin	1	133	Connecting Rod	1
104	Nut	1	134	Cushion	1
105	Bolt with Hole	1	135	Bolt	1
106	Jacket	1	136	Washer	1
107	Pull Rod	1	137	Elastic Washer	1
108	Bolt	12	138	Nut	1
109	Washer	12	139	Protecting Cover	1
110	Seat of Grip	2	140	Pedal Bar	1
111	Retaining Ring	6	141	Table	1
112	Pin	4	142	Retaining Ring	4
113	Elastic Washer	12	143	Roller	2
114	Nut	12	144	Washer	4
115	Spring	2	145	Roller	2
116	Cushion	2	146	Pin	2
117	Long Shaft	1	147	Bushing	2
118	Universal Wheel	2	148	Retaining Ring	2
119	Frame	1	149	Pin	1
120	Pin	2	150	Retaining Ring	2
121	Washer	4	151	Fork Arm	1
122	Axle	2	152	Bushing	2
123	Bearing	4	153	Pin	2
124	Wheel	2	154	Retaining Ring	2
125	Retaining Ring	2	157	Support Plank	2
126	Pump Unit	1	158	Nut	2
127	Pin	1	159	Screw	2
128	Washer	1	160	Protecting board	1
129	Retaining Ring	1	161	Bolt	4
130	Pin	1	162	Bushing	2

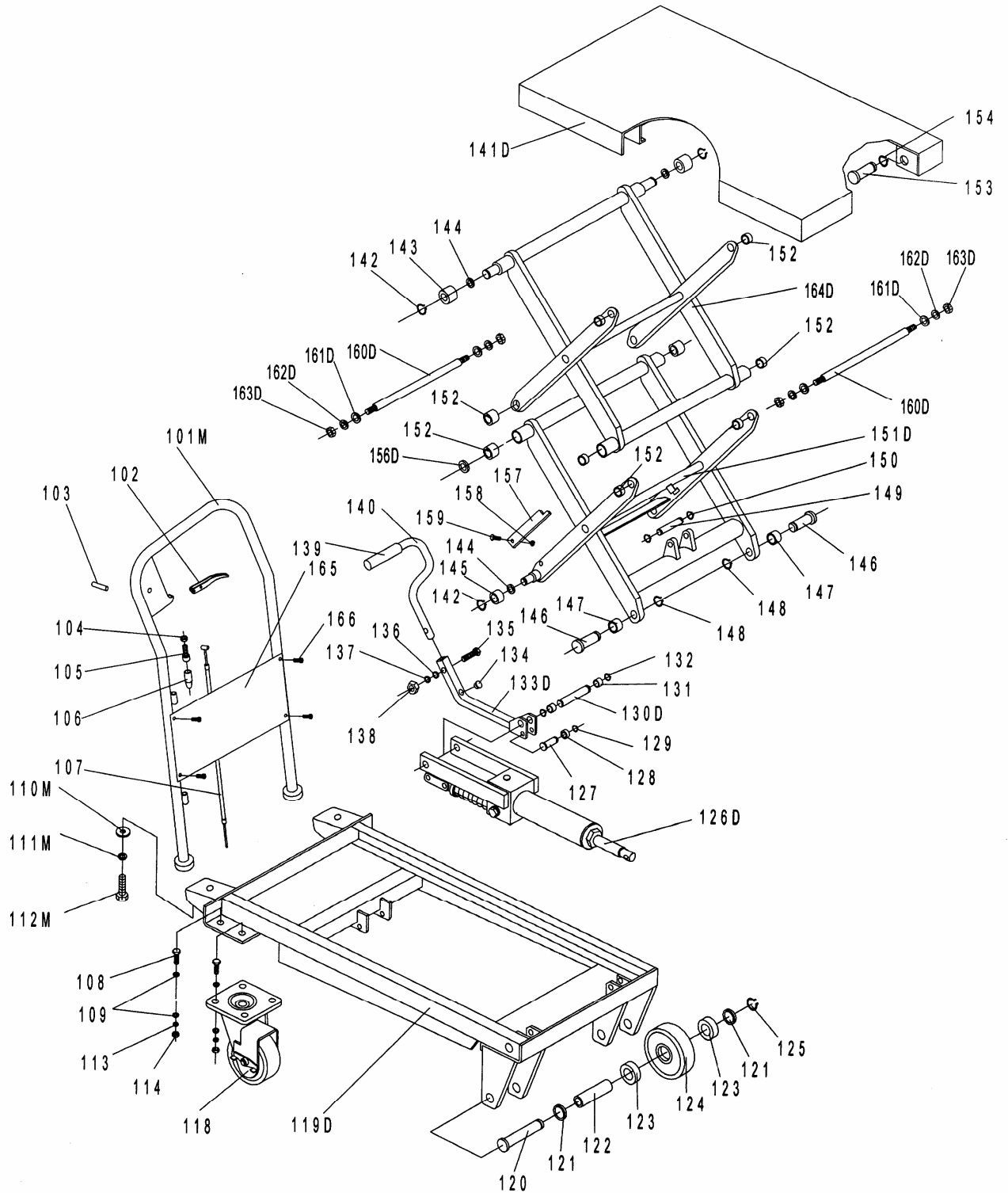
Part List of Pump



No	Description	Qty.	No	Description	Qty.
201	Seal Washer	1	230	Spring	1
202	Pump Cylinder	1	231	Spindle of Safety Valve	1
203	Dust Ring	1	232	Steel Ball	1
204	Y - Seal	1	233	O-Ring	1
205	Pump Piston	1	234	Seat of Pumping Valve	1
206	Spring	1	235	Spindle of Pumping Valve	1
207	Spring Cap	1	236	Spring	1
208	Retaining Ring	1	237	Seal Washer	1
209	Joint Plate	2	238	O - Ring	1
210	Pin	1	239	Seal Washer	1
211	Pump Body	1	240	Cylinder	1
212	Elastic Pin	1	241	Housing	1
213	Spring	1	242	Bolt	1
214	Strike Pin	1	243	Seal Washer	1
215	Seal Washer	1	244	Retaining Ring	1
216	Axle Sleeve	1	245	Washer	1
217	O - Ring	2	246	O - Ring	1
218	Nut	1	247	Cup Packing	1
219	Screw	1	248	Piston	1
220	Lever Plate	1	249	O - Ring	1
221	Nut	1	250	Piston Rod	1
222	Elastic Washer	1	251	Seal Washer	1
223	Washer	1	252	Cylinder Cap	1
224	Bolt with Hole	1	253	O - Ring	1
225	Bolt with Hole	1	254	Dust Ring	1
226	Nut	1	255	Plug	1
227	Plug	1	256	Liquid Throttle Sheath	1
228	O - Ring	1	257	Bolt	1
229	Adjusting Bolt	1			

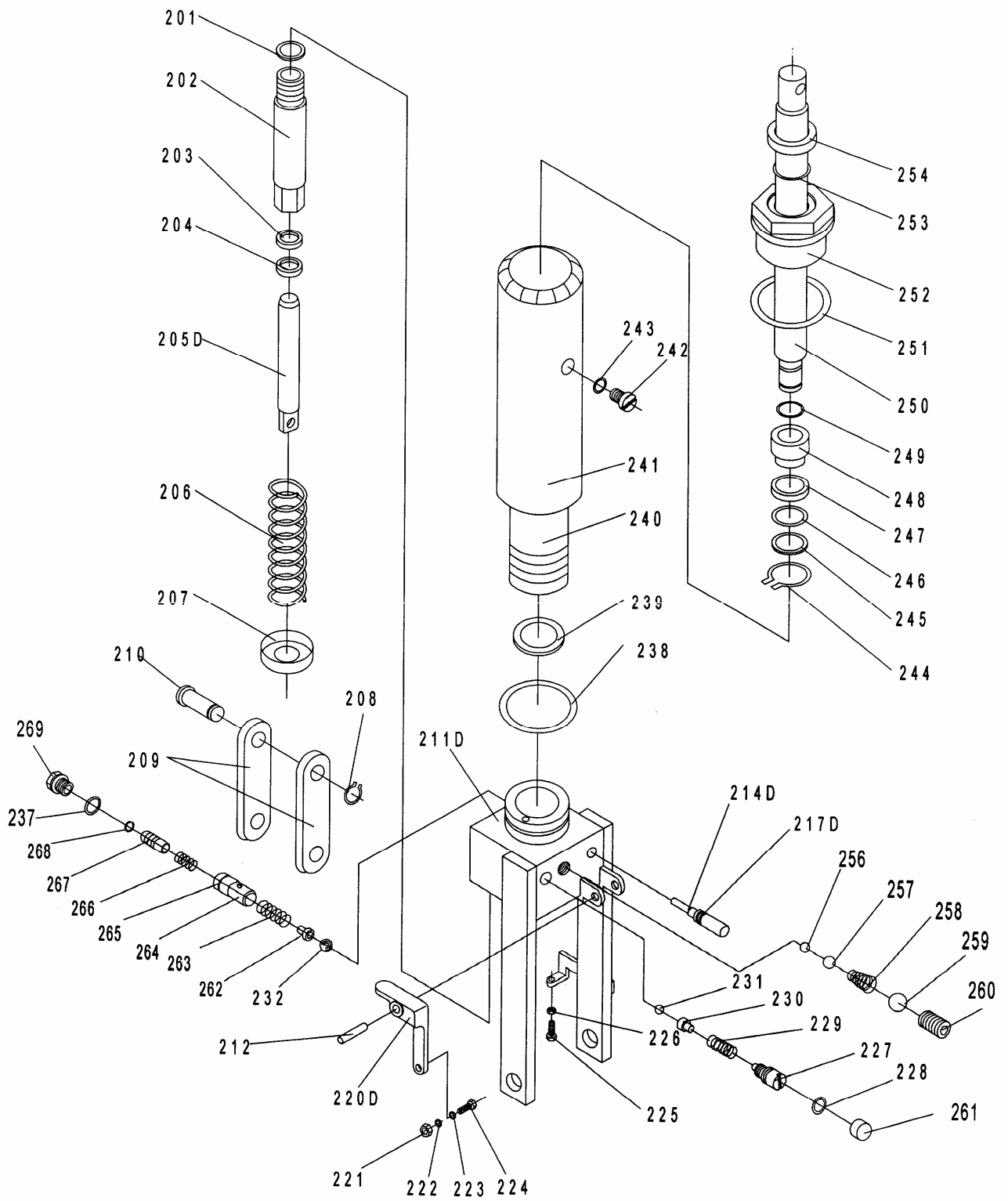
7.4 TFD35

TFD35 table



No	Description	Qty	No	Description	Qty
101M	Handle Grip	1	136	Washer	1
102	Control Handle	1	137	Elastic Washer	1
103	Elastic Pin	1	138	Nut	1
104	Nut	1	139	Protecting Cover	1
105	Bolt with Hole	1	140	Pedal Bar	1
106	Jacket	1	141D	Table	1
107	Pull Rod	1	142	Retaining Ring	2
108	Bolt	8	143	Roller	2
109	Washer	16	144	Washer	2
110M	Big Washer	2	145	Roller	2
111M	Elastic Washer	2	146	Pin	2
112M	Bolt	2	147	Bushing	2
118	Universal Wheel	2	148	Retaining Ring	2
119D	Frame	1	149	Pin	1
120	Pin	2	150	Retaining Ring	2
121	Washer	4	151D	Fork Arm	1
122	Axle	2	152	Bushing	8
123	Bearing	4	153	Pin	2
124	Wheel	2	154	Retaining Ring	2
125	Retaining Ring	2	156	Elastic Pin	2
126D	Pump Unit	1	157	Support Plank	2
127	Pin	1	158	Screw	2
128	Washer	1	159	Nut	2
129	Retaining Ring	2	160D	Long Shaft	2
130D	Pin	1	161D	Washer	4
131	Washer	2	162D	Washer	4
132	Retaining Ring	2	163D	Nut	4
133D	Connecting Rod	1	165	Protecting board	1
134	Cushion	1	166	Screw	4
135	Bolt	1			

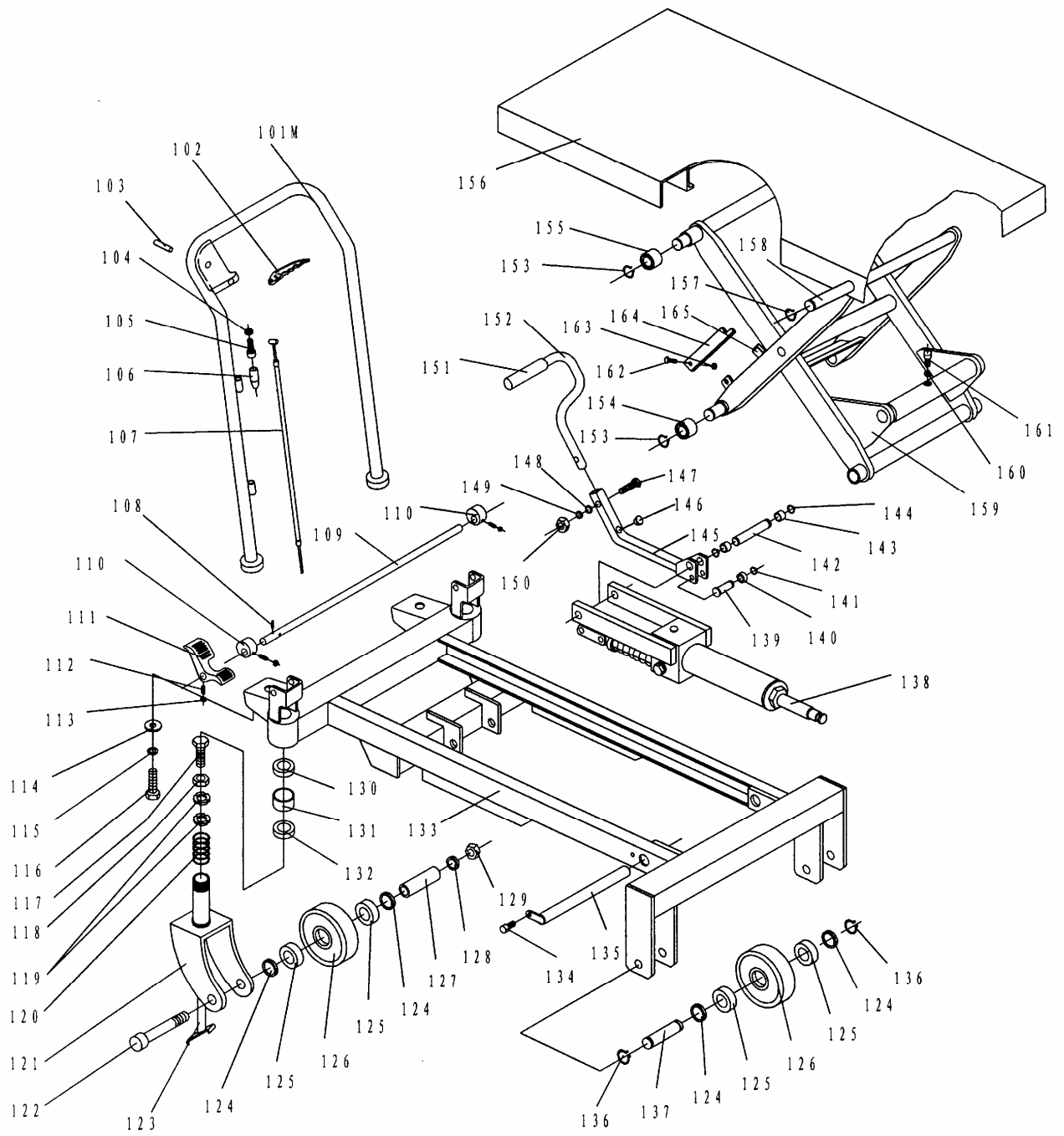
TFD35 pump



No	Description	Qty	No	Description	Qty
201	Seal Washer	1	241	Housing	1
202	Pump Cylinder	1	242	Bolt	1
203	Dust Ring	1	243	Seal Washer	1
204	Y-Seal	1	244	Retaining Ring	1
205D	Pump Piston	1	245	Washer	1
206	Spring	1	246	O-Ring	1
207	Spring Cap	1	247	Cup Packing	1
208	Retaining Ring	1	248	Piston	1
209	Joint Plate	2	249	O-Ring	1
210	Pin	1	250	Piston Rod	1
211D	Pump Body	1	251	Seal Washer	1
212	Elastic Pin	1	252	Cylinder Cap	1
214D	Strike Pin	1	253	O-Ring	1
217D	O-Ring	2	254	Dust Ring	1
220D	Lever Plate	1	256	Steel Ball	1
221	Nut	1	257	Steel Ball	1
222	Elastic Washer	1	258	Spring	1
223	Washer	1	259	Steel Ball	1
224	Bolt With Hole	1	260	Screw	1
225	Bolt With Hole		261	Cup	1
226	Nut	1	262	Seat of Steel Ball	1
227	Adjusting Bolt	1	263	Spring	1
228	O-Ring	1	264	Seat of Valve	1
229	Spring	1	265	O-Ring	1
230	Seat of Steel Ball	1	266	Spring	1
231	Steel Ball	1	267	Core of Valve	1
232	Steel Ball	1	268	Retaining Ring	1
237	Seal Washer	1	269	Plug	1
238	O-Ring	1			
239	Seal Washer	1			
240	Cylinder	1			

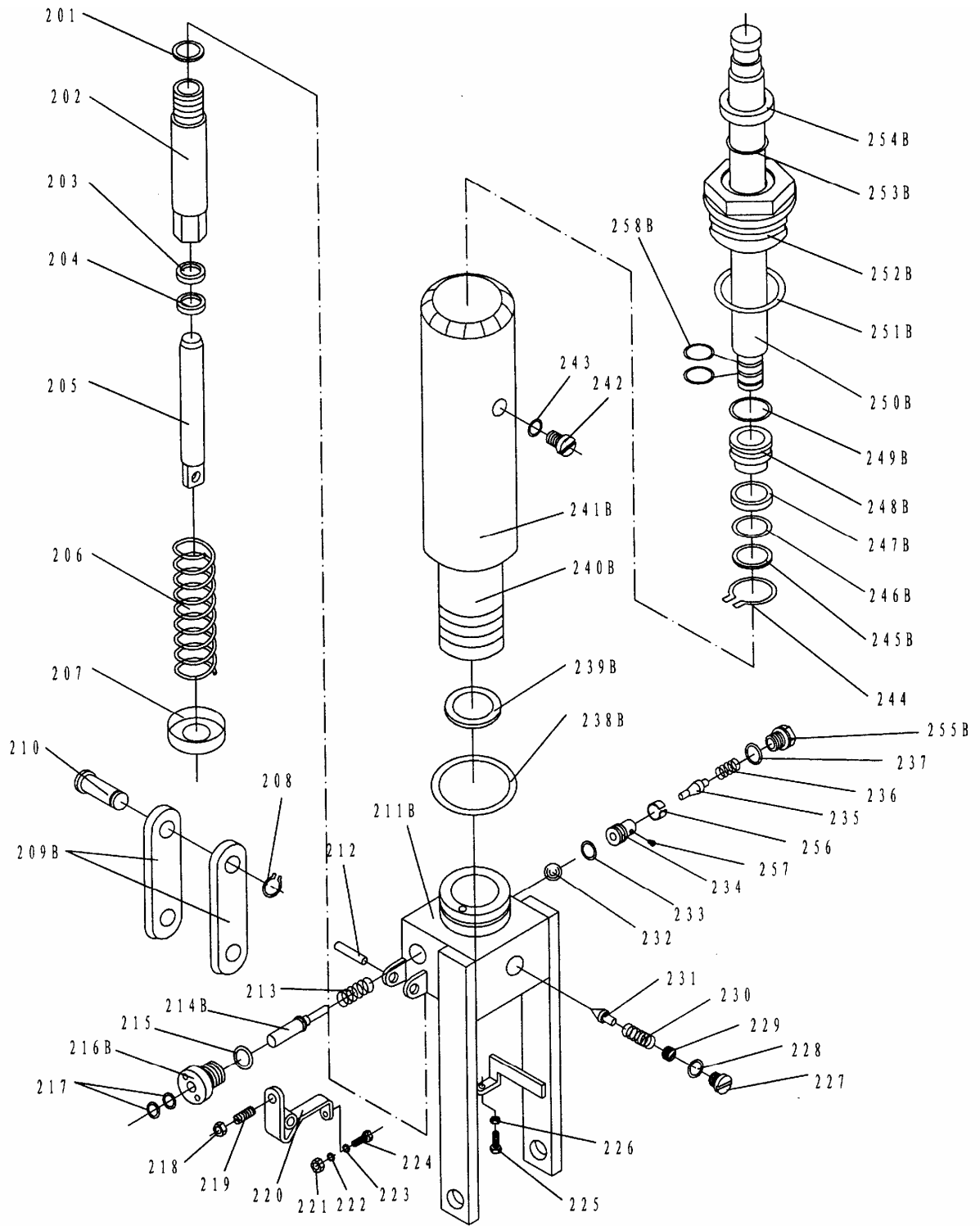
7.5 TF75

TF75 table



No	Description	Qty.	No	Description	Qty.
101M	Handle Grip	1	135	Shaft	1
102	Control Handle	1	136	Retaining Ring	4
103	Elastic Pin	1	137	Axle of Wheel	2
104	Nut	1	138	Pump Unit	1
105	Bolt with Hole	1	139	Pin	1
106	Jacket	1	140	Roller	1
107	Pull Rod	1	141	Retaining Ring	1
108	Elastic Pin	1	142	Pin	1
109	Shaft	1	143	Washer	2
110	Cam	2	144	Retaining Ring	2
111	Pedal	1	145	Connecting Rod	1
112	Screw	3	146	Cushion	1
113	Nut	3	147	Bolt	1
114	Big Washer	2	148	Washer	1
115	Elastic Washer	2	149	Elastic Washer	1
116	Bolt	2	150	Nut	1
117	Bolt	2	151	Protecting Cover	1
118	Nut	2	152	Pedal Bar	1
119	Round Nut	4	153	Retaining Ring	4
120	Spring	2	154	Roller	2
121	Seat of Wheel	2	155	Roller	2
122	Bolt	2	156	Table	1
123	Brake	2	157	Retaining Ring	2
124	Washer	4	158	Shaft	2
125	Bearing	8	159	Fork Arm	1
126	Wheel	4	160	Elastic Washer	1
127	Axle	2	161	Screw	1
128	Elastic Washer	2	162	Screw	2
129	Nut	2	163	Nut	2
130	Bearing	2	164	Support Plank	2
131	Washer	2	165	Elastic Pin	2
132	Bearing	2			
133	Frame	1			
134	Bolt	1			

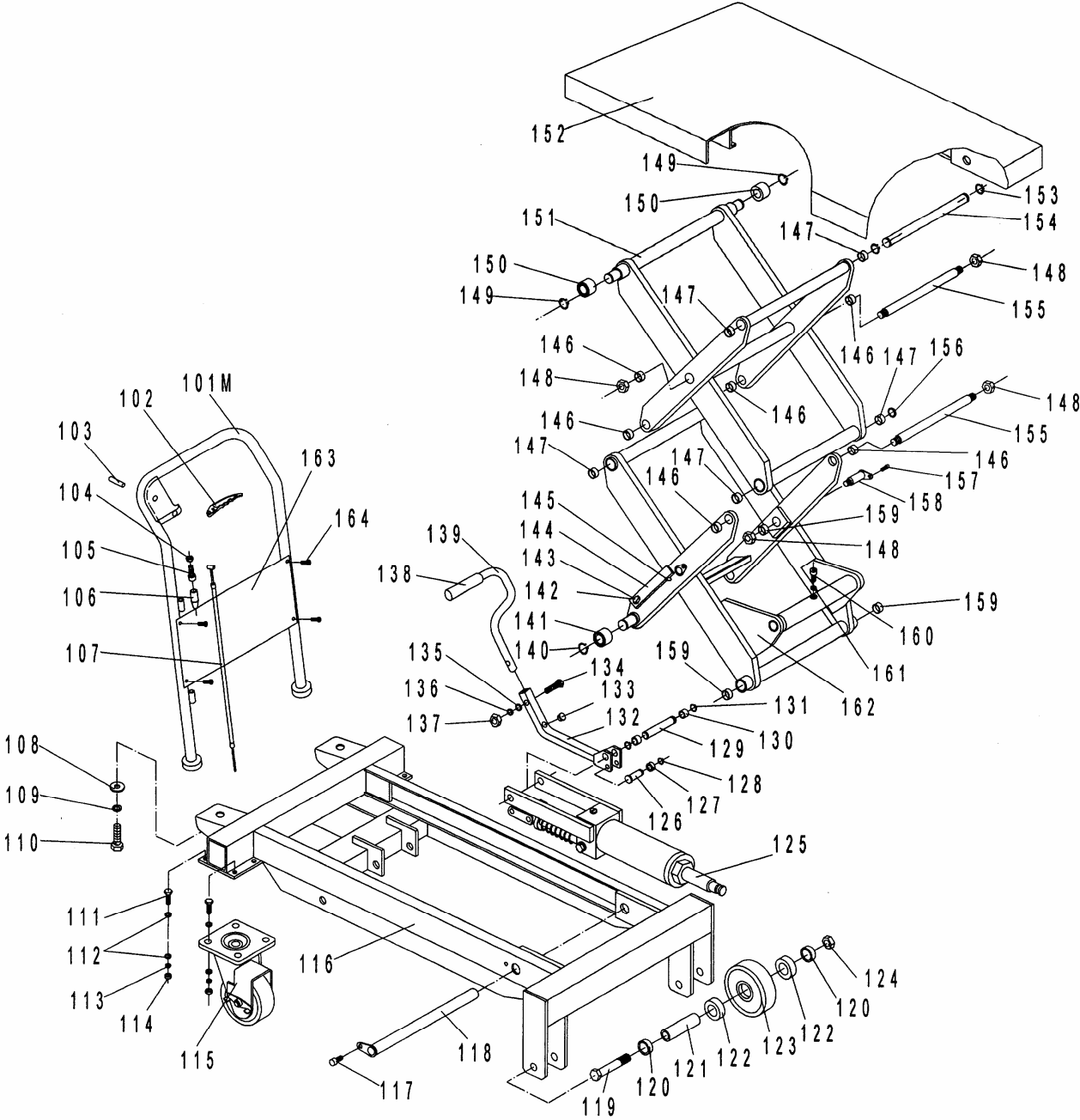
TF75 pump



No	Description	Qty	No	Description	Qty
201	Seal Washer	1	229	Adjusting Bolt	1
202	Pump Cylinder	1	230	Spring	1
203	Dust Ring	1	231	Spindle of Safety Valve	1
204	Y - Seal	1	232	Steel Ball	1
205	Pump Piston	1	233	O-Ring	1
206	Spring	1	234	Seat of Pumping Valve	1
207	Spring Cap	1	235	Spindle of Pumping Valve	1
208	Retaining Ring	1	236	Spring	1
209B	Joint Plate	2	237	Seal Washer	1
210	Pin	1	238B	O-Ring	1
211B	Pump Body	1	239B	Seal Washer	1
212	Elastic Pin	1	240B	Cylinder	1
213	Spring	1	241B	Housing	1
214B	Strike Pin	1	242	Bolt	1
215	Seal Washer	1	243	Seal Washer	1
216B	Axle Sleeve	1	244	Retaining Ring	1
217	O - Ring	2	245B	Washer	1
218	Nut	1	246B	O-Ring	1
219	Screw	1	247B	Cup Packing	1
220	Lever Plate	1	248B	Piston	1
221	Nut	1	249B	O - Ring	1
222	Elastic Washer	1	250B	Piston Rod	1
223	Washer	1	251B	O - Ring	1
224	Bolt with Hole	1	252B	Cylinder Cap	1
225	Bolt with Hole	1	253B	O - Ring	1
226	Nut	1	254B	Dust Ring	1
227	Plug	1	255B	O - Ring	2
228	O - Ring	1	256B	Pulg	1

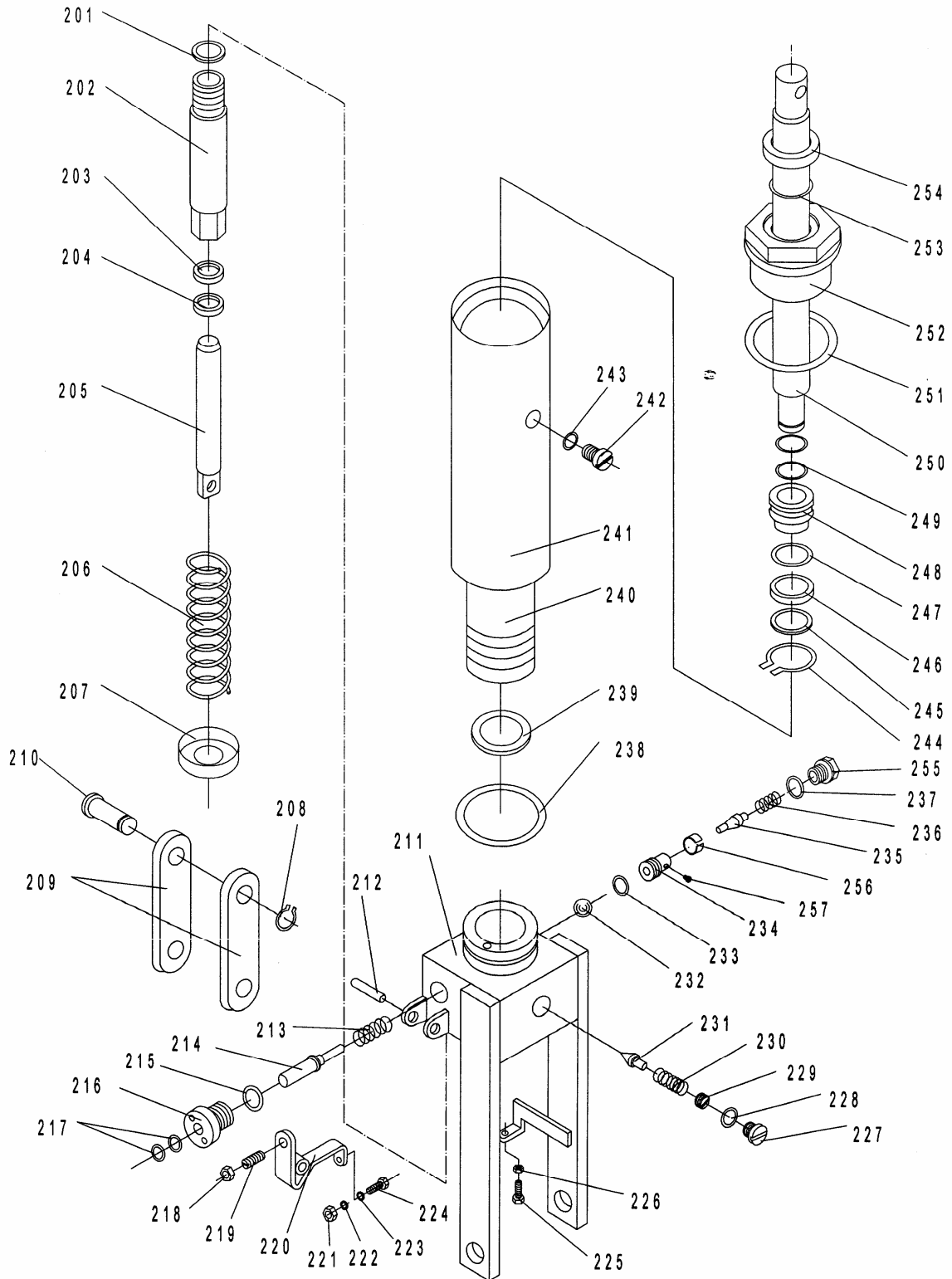
7.6 TFD80

TFD80Table



No	Description	Qty.	No	Description	Qty.
101M	Handle Grip	1	134	Bolt	1
102	Control Handle	1	135	Washer	1
103	Elastic Pin	1	136	Elastic Washer	1
104	Nut	1	137	Nut	1
105	Bolt with Hole	1	138	Protecting Cover	1
106	Jacket	1	139	Pedal Bar	1
107	Pull Rod	1	140	Retaining Ring	2
108	Big Washer	2	141	Roller	2
109	Elastic Washer	2	142	Bolt	2
110	Bolt	2	143	Sleeve	2
111	Bolt	8	144	Support Plank	2
112	Washer	16	145	Elastic Pin	2
113	Elastic Washer	8	146	Bushing	6
114	Nut	8	147	Bushing	4
115	Swivel Caster	2	148	Nut	8
116	Frame	1	149	Retaining Ring	2
117	Screw	1	150	Upper Roller	2
118	Shaft with Shoulder	1	151	Upper Fork Arm	1
119	Bolt	2	152	Table	1
120	Washer	4	153	Retaining Ring	2
121	Axle	2	154	Long Shaft	1
122	Bearing	4	155	Shaft	3
123	Wheel	2	156	Washer	4
124	Nut	2	157	Screw	2
125	Pump Unit	1	158	Fixing Shaft	2
126	Pin	1	159	Bushing	4
127	Washer	1	160	Screw	1
128	Retaining Ring	2	161	Washer	1
129	Shaft	1	162	Lower Fork Arm	1
130	Washer	2	163	Protecting board	1
131	Retaining Ring	2	164	Screw	4
132	Connecting Rod	1			
133	Cushion	1			

TFD80 Pump unit



No	Description	Qty	No	Description	Qty
201	Seal Washer	1	229	Adjusting Bolt	1
202	Pump Cylinder	1	230	Spring	1
203	Dust Ring	1	231	Spindle of Safety Valve	1
204	Y - Seal	1	232	Steel Ball	1
205	Pump Piston	1	233	O-Ring	1
206	Spring	1	234	Seat of Pumping Valve	1
207	Spring Cap	1	235	Spindle of Pumping Valve	1
208	Retaining Ring	1	236	Spring	1
209	Joint Plate	2	237	Seal Washer	1
210	Pin	1	238	O-Ring	1
211	Pump Body	1	239	Seal Washer	1
212	Elastic Pin	1	240	Cylinder	1
213	Spring	1	241	Housing	1
214	Strike Pin	1	242	Bolt	1
215	Seal Washer	1	243	Seal Washer	1
216	Axle Sleeve	1	244	Retaining Ring	1
217	O - Ring	2	245	Washer	1
218	Nut	1	246	Y - Ring	1
219	Screw	1	247	O - Ring	1
220	Lever Plate	1	248	Piston	1
221	Nut	1	249	O - Ring	2
222	Elastic Washer	1	250	Piston Rod	1
223	Washer	1	251	O - Ring	1
224	Bolt with Hole	1	252	Cylinder Cap	1
225	Bolt with Hole	1	253	O - Ring	1
226	Nut	1	254	Dust Ring	1
227	Plug	1			
228	O - Ring	1			