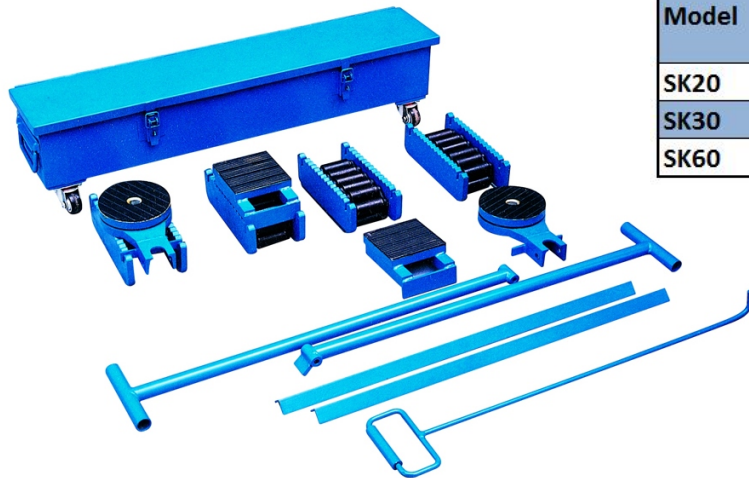


Complete Machinery Skate Kits

Model	Capacity (tonne)	Length Support (mm)	Width Support (mm)	Total Height (mm)
SK20	20	120	120	108
SK30	30	120	120	117
SK60	60	130	130	140



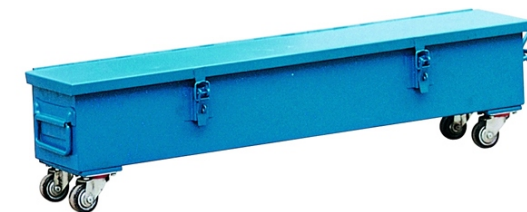
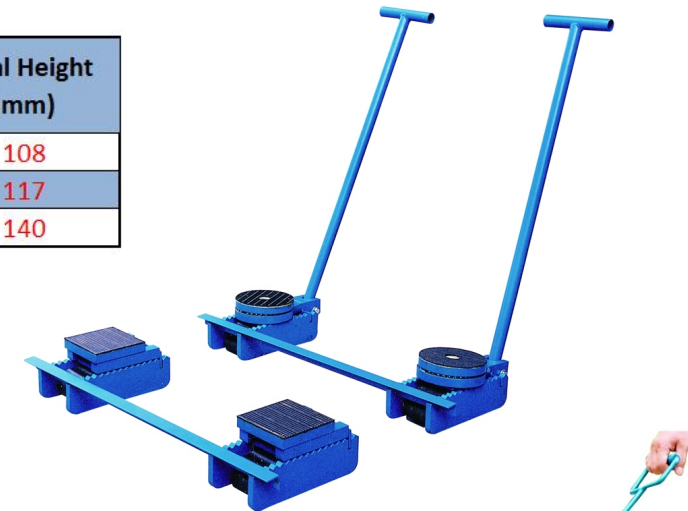
Complete Skate Kits include 4 roller skates, 2 turntables, 2 packing plates, 2 steering handles, 2 link-up bars, one draw bar and one metal storage box with castors.

IMPORTANT NOTICE!

All maximum carrying capacities are based on use on a steel surface, which withstands the pressure of the chain-roller. For safety, the carrying capacities in complete sets are calculated so that 2 roller skates could support the full load on uneven surfaces.

The track surface is important for the safe transportation of the load - tiles are unsuitable, movement on tarmac and concrete is restricted. In these cases, it is recommended to put a steel plate of a minimum of 10mm thickness underneath.

Due to the little effort required to overcome the rolling resistance (4-7% of the total load) - precautionary measures must be taken for use on inclined surfaces.



Complete Skate Kits are for short variable transportation distances. Ideal for installation works and movement of heavy loads. The steering handle give you precise control making it easier to manoeuvre large machinery into tight areas.

Moving speed should not exceed 5m/min. Minimum turning circle is 3m.

We provide a nationwide 2-3 day delivery service with next day delivery available on request. All of our products come with a twelve month return to base limited warranty