

Introducing the....

MID-EPT15



**FULLY ELECTRIC
PALLET TRUCK**

MID-EPT15

FULLY ELECTRIC LITHIUM PALLET TRUCK

MID-EPT15 is a new streamline and highly efficient fully electric pallet truck.

The truck features a very reliable 0.75kw brushless maintenance free driving motor, coupled together with a highly efficient lithium battery giving maximum running time between charges.

To allow the unit to be constantly operated, you also have the option of purchasing extra batteries which are easily interchangeable (within seconds). These allow the truck to be used on a fully charged battery, whilst the spent battery is being charged with the supplied external battery charger.



Rated at 1500kg capacity and a slope/climbing gradeability of 4% laden, 10% unladen—this is a powerful machine with average life 3 times greater than a manual pallet truck. Despite this, it's a compact unit, only 32mm longer than a standard pallet truck.

The ergonomic tiller is a multi-function handle, which helps reduce fatigue and will automatically return to the vertical position when released. It features an emergency stop, forward/reverse butterfly switch, lifting/lowering, horn, LED screen displaying battery life.



Features non-marking Polyurethane wheels with Integral double fork wheels—ideal for pallets of an open or closed designs

Invest and Improve your efficiency now, whilst protecting your staff from strains and injury.

SPECIFICATIONS

CHARACTERISTICS

| | | |
|----------|----|------|
| Capacity | kg | 1500 |
|----------|----|------|

DIMENSIONS

| | | |
|---|----|-----------------|
| Load Center | mm | 600 |
| Maximum fork height | h3 | mm 197 (+/-2mm) |
| Lowered fork height | mm | 82 (+/-2mm) |
| Overall fork width | mm | 550 / 685* |
| Fork Length | L | mm 1150 / 1220* |
| Fork thickness | b1 | mm 58 |
| Fork width | E | mm 160 |
| Overall length | L1 | mm 1552 / 1622* |
| Overall height (with tiller) | h4 | mm 1276 |
| Overall height (without tiller) | h1 | mm 520 |
| Rear body length | mm | 402 |
| Rear body width | mm | 550 / 685* |
| Minimum turning radius | wa | mm 1353 |
| Minimum aisle width required (800x1200mm pallet) | mm | 1887 |
| Minimum aisle width required (1000x1200mm pallet) | mm | 1918 |

PERFORMANCE

| | | | |
|--------------------------|---------|------|-----|
| Maximum travelling speed | laden | km/h | 3.5 |
| | unladen | km/h | 4 |
| Maximum lifting speed | laden | m/s | 19 |
| | unladen | m/s | 19 |
| Maximum lowering speed | laden | m/s | 38 |
| | unladen | m/s | 38 |
| Gradeability | laden | % | 4 |
| | unladen | % | 10 |

WHEELS

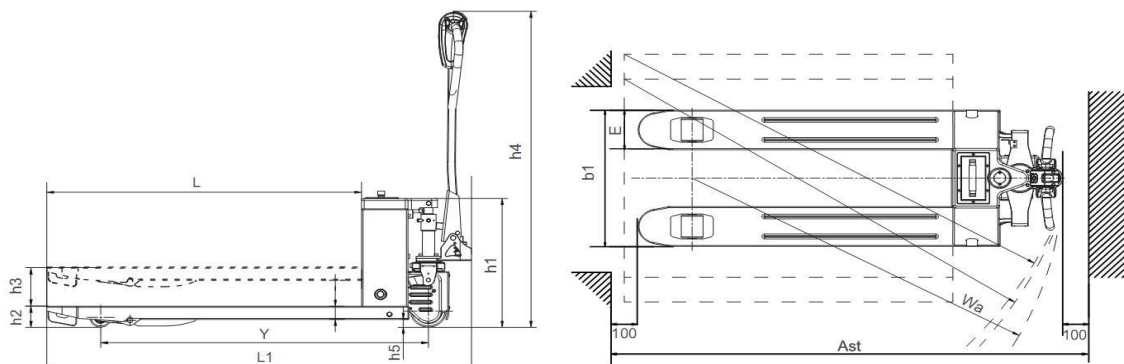
| | | |
|-----------------------|-------------------|---------|
| Type | Polyutherane (PU) | |
| Driving (steer) wheel | mm | 130x55 |
| Loading wheel | mm | 80x70mm |

MOTOR

| | | |
|------------|----|---------|
| Travelling | kw | DC 0.45 |
| Lifting | KW | DC 0.5 |

Battery

| | | |
|-----------------|----|----------------|
| Voltage | v | 48 |
| Capacity / Type | Ah | 10Ah / Lithium |



*685x1220mm fork sizes are available on request (540x1150mm forks are supplied as standard)