

HYDRAULIC HAND OPERATED SHOP CRANE PDJ10

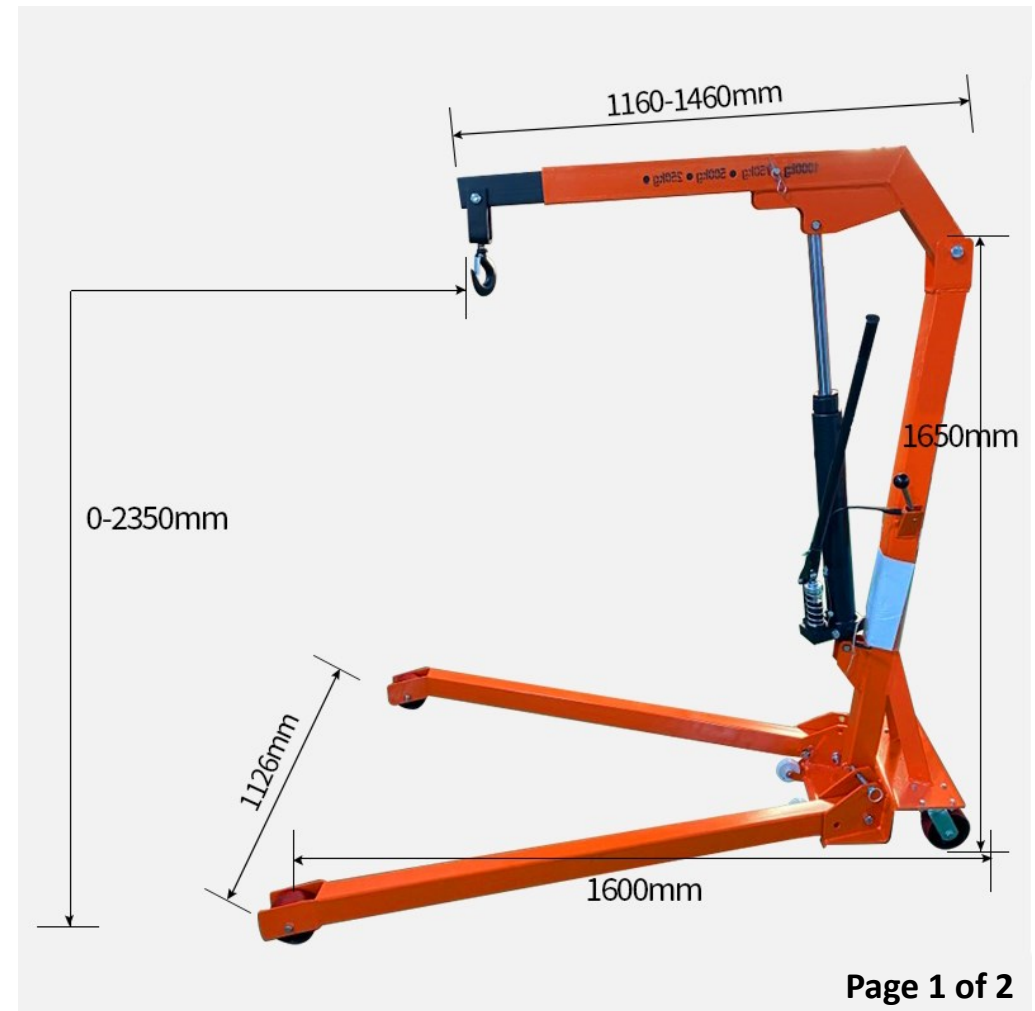
This hydraulic hand operated shop crane has a lift capacity between 250-1000kg.

Beam length is adjustable between 1160-1460mm.

Often used for lifting engines, which it can do up to a height of 2350mm.

Features 2 fixed wheels at the front and 2 locking swivel wheels at the rear, unit weight just 115kg.

Folds down for easy storage when not in use.



HYDRAULIC HAND OPERATED SHOP CRANE



Page 2 of 2

We provide a nationwide 2-3 day delivery service with next day delivery available on request.
All of our products come with a twelve month return to base limited warranty

PallettrucksUK.co.uk is a trading name of Midland Bearings Ltd
Registered in England and Wales
Company Number 02839330 - VAT Registration Number GB 753996769