

## Machinery Jack TB series

### Professional class

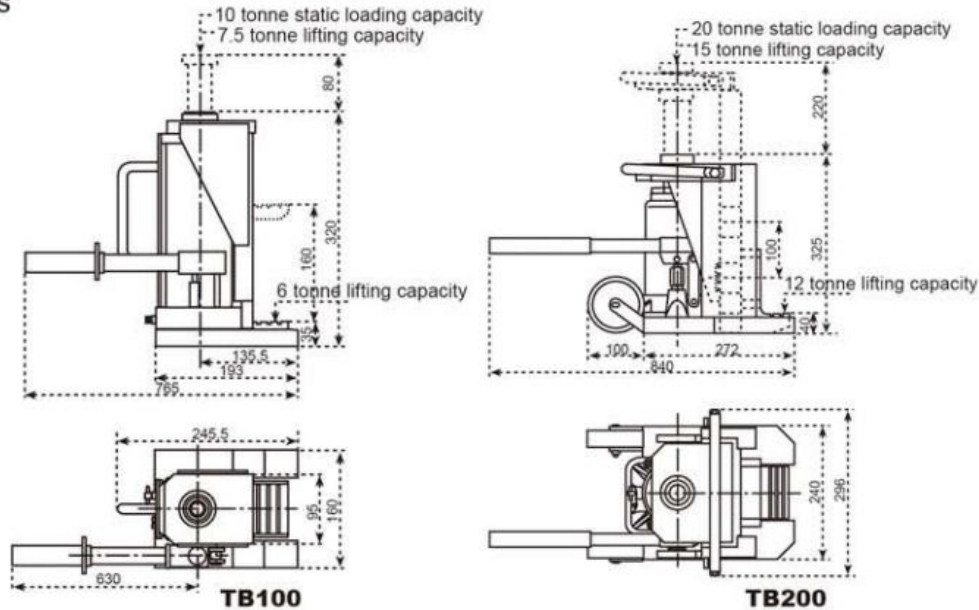
- Conforms to CE safety standard.

#### TB100

Static loading capacity on top 10 tonne

#### TB200

Static loading capacity on top 20 tonne



## TB PROFESSIONAL CLASS JACK

|  |        |       | TB100   | TB200   |
|--|--------|-------|---------|---------|
| Lifting Capacity   | on top | tonne | 7.5     | 15      |
|  | on toe |       | 6       | 12      |
| Lifting Stroke   |        | mm    | 160     | 140     |
| Lifting Range of Top                                     |        | mm    | 320-560 | 325-545 |
| Min Loading Height Using Lifting Toe                     |        | mm    | 35      | 40      |
| Min. Loading Height Using Lifting Toe at Max. Adjustment |        | mm    | 160     | -       |
| Lifting Range of toe                                     |        | mm    | 35-195  | 40-260  |
| Net Weight   |        | kg    | 25      | 69      |