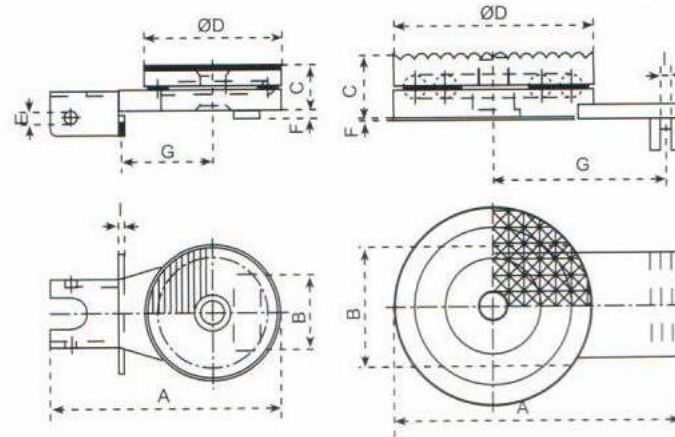
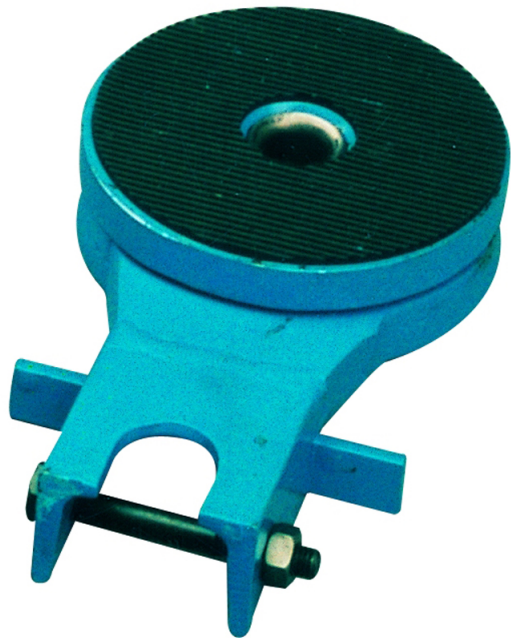


Turn Table

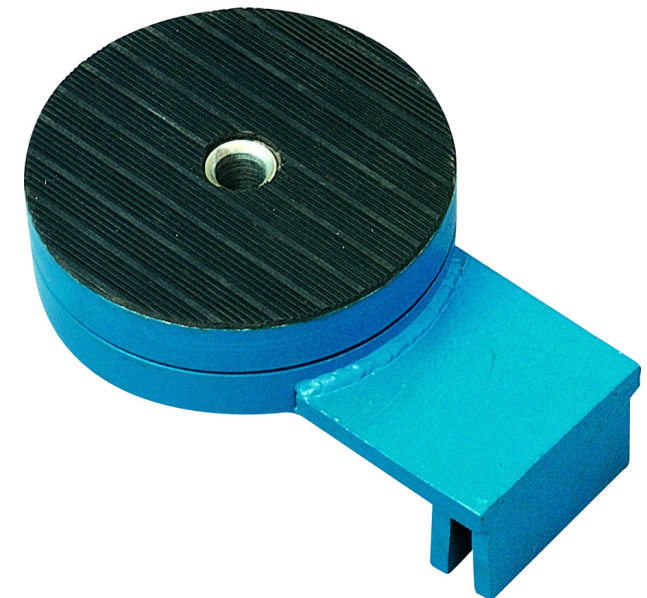
(For RS roller skates)

Turntable's are to be placed on top of RS series skates, handle must be attached. Holding while the roller skate is moving, minimum turning circle is 3 metres.

TR20



TR40



Model	Dimension A (mm)	Dimension B (mm)	Dimension C (mm)	Dimension D Ø (mm)	Dimension E (mm)	Dimension F (mm)	Dimension G (mm)	Dimension I (mm)	Weight (kg)
TR10	220	74	41	128	13	11	88	5	4.5
TR20	220	86	41	128	13	11	88	5	4.5
TR30	250	95	46	150	14	11	105	5	6.7
TR40	275	114	64	190	14	-	165	11	13.7
TR50	360	128	64	220	14	-	235	11	18.9

We provide a nationwide 2-3 day delivery service with next day delivery available on request.
All of our products come with a twelve month return to base limited warranty

PallettrucksUK.co.uk is a trading name of Midland Bearings Ltd
Registered in England and Wales
Company Number 02839330 - VAT Registration Number GB 753996769