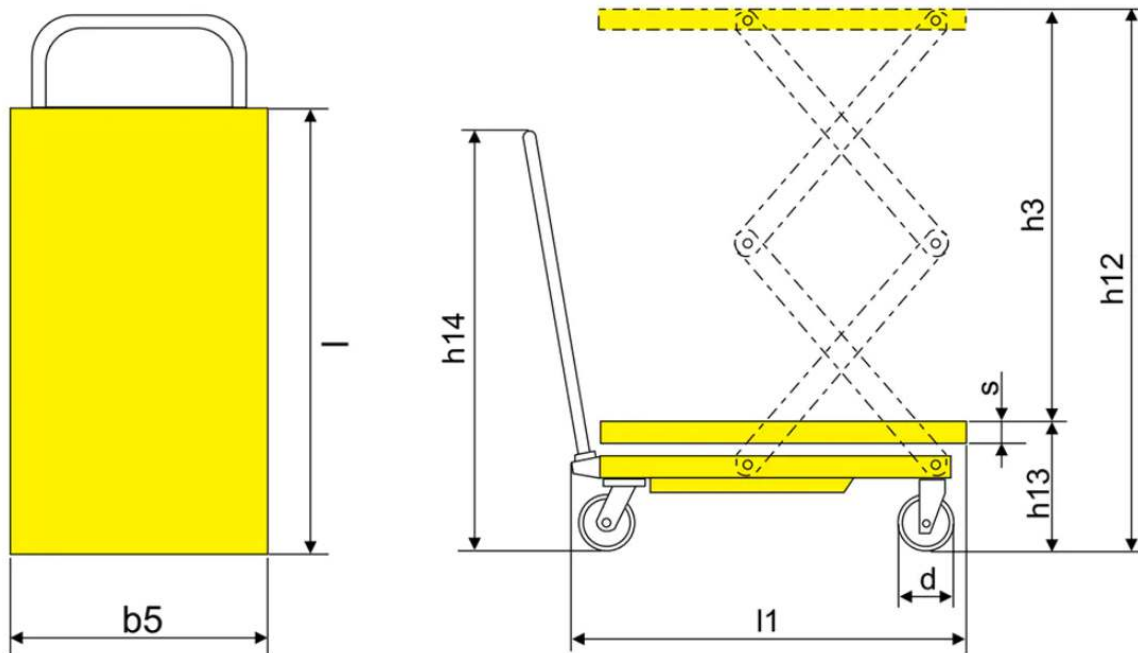


TFD80 Double Scissor Lift Table

- ◇ Easy action foot operated hydraulic lift for raising the height
- ◇ Hand operated table decent.
- ◇ Overload bypass valve to help protect operator and pump.
- ◇ Heavy duty steel construction with powder coated table top.



Model	TFD80	
Capacity	kg	800
Maximum Lift Height	mm (h12)	1500
Minimum Lowered Height	mm (h13)	475
Lifting Span	mm (h3)	1025
Table Top Size	mm (lxb5xs)	1220x610x60
Total Height Lowered With Handle	mm (h14)	962
Overall Length	mm (l1)	1375
Foot Pedal Cycle To Full Height	<=	70
Wheel Diameter	mm (d)	150
Weight	kg	172
Carton Packing Size	mm	1400x730x500

We provide a nationwide 2-3 day delivery service with next day delivery available on request.
All of our products come with a twelve month return to base limited warranty

PallettrucksUK.co.uk is a trading name of Midland Bearings Ltd
Registered in England and Wales
Company Number 02839330 - VAT Registration Number GB 753996769